

**BKSSL**  
SOLID STATE LIGHTING



# ARTISTAR™ RECESSED UPLIGHT

<b>PROJECT:</b>	
<b>TYPE:</b>	
<b>CATALOG NUMBER:</b>	
<b>SOURCE:</b>	
<b>NOTES:</b>	

## CATALOG NUMBER LOGIC

**Example**    S - UL - F - AR - LED - e22 - NSP - A6 - BLW - 12 - 11

**Material** ——— S ——— UL ——— F ——— AR ——— LED ——— e22 ——— NSP ——— A6 ——— BLW ——— 12 ——— 11

**Blank** - Aluminum  
**B** - Brass  
**S** - Stainless Steel

**Series** ——— UL - Recessed Uplight

**Installation** ——— F - Flush mount  
S - Surface mount

**Fixture** ——— AR - ArtiStar™

**Source** ——— LED - 'e' Technology with Integral Dimming Driver (25W min. load when dimmed). Refer to dimmer for minimum load required.  
*Designed for use with remote 12VAC BKSSL® transformers. Requires magnetic Low Voltage dimmer.*

**LED Type** ——— e36 - 8WLED/2.7K      e23 - 8WLED/4K  
e22 - 8WLED/3K      e27 - 8WLED/Amber

**Optics\*** ——— NSP - Narrow Spot (Red Indicator)      MFL - Medium Flood (Yellow Indicator)  
SP - Spot (Green Indicator)      WFL - Wide Flood (Blue Indicator)

**Adjust-e-Lume® Output Intensity\*\*** (Choose factory setting) ——— A9 (Standard), A8, A7, A6, A5, A4, A3, A2, A1  
*\*\*Please see Adjust-e-Lume® photometry to determine desired intensity.*

**Finish** ———

Aluminum Finish			Brass Finish		Premium Finish		
<b>Powder Coat Color</b>	<b>Satin</b>	<b>Wrinkle</b>	Machined	<b>MAC</b>	<b>ABP</b> Antique Brass Powder	<b>CMG</b> Cascade Mountain Granite	<b>RMG</b> Rocky Mountain Granite
Bronze	<b>BZP</b>	<b>BZW</b>	Polished	<b>POL</b>	<b>AMG</b> Aleutian Mountain Granite	<b>CRI</b> Cracked Ice	<b>SDS</b> Sonoran Desert Sandstone
Black	<b>BLP</b>	<b>BLW</b>	Mitique™	<b>MIT</b>	<b>AQW</b> Antique White	<b>CRM</b> Cream	<b>SMG</b> Sierra Mountain Granite
White (Gloss)	<b>WHP</b>	<b>WHW</b>	Stainless Finish		<b>BCM</b> Black Chrome	<b>HUG</b> Hunter Green	<b>TXF</b> Textured Forest
Aluminum	<b>SAP</b>	—	Machined	<b>MAC</b>	<b>BGE</b> Beige	<b>MDS</b> Mojave Desert Sandstone	<b>WCP</b> Weathered Copper
Verde	—	<b>VER</b>	Polished	<b>POL</b>	<b>BPP</b> Brown Patina Powder	<b>NBP</b> Natural Brass Powder	<b>WIR</b> Weathered Iron
			Brushed	<b>BRU</b> <small>Interior use only.</small>	<b>CAP</b> Clear Anodized Powder	<b>OCF</b> Old Copper	<i>Also available in RAL Finishes See submittal SUB-1439-00</i>

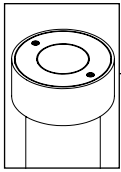
**Lens** ——— 12 - Soft Focus Lens      13 - Rectilinear Lens

**Shielding** ——— 11 - Honeycomb Baffle

DRIVER DATA	Input Volts	InRush Current	Dimmable	Operation Ambient Temperature
	12VAC/DC 50/60Hz	<250mA max (non-dimmed)	Magnetic Low Voltage Dimmer	-22°F-184°F (-30°C-90°C)

LM79 DATA				L70 DATA		*OPTICAL DATA		
BK No.	CCT (Typ.)	Input Watts (Typ.)	CRI (Typ.)	Minimum Rated Life (hrs.) 70% of initial lumens (L70)		Beam Type	Angle	Visual Indicator
e36	2700K	8.4	90	50,000		Narrow Spot	14°	Red Dot
e22	3100K	8.4	90	50,000		Spot	18°	Green Dot
e23	4100K	8.4	75	50,000		Medium Flood	25°	Yellow Dot
e27	Amber (590nm)	7.9	~	50,000		Wide Flood	36°	Blue Dot

<b>B-K LIGHTING</b>	40429 Brickyard Drive • Madera, CA 93636 • USA 559.438.5800 • FAX 559.438.5900 www.bklighting.com • info@bklighting.com	RELEASED 07-10-15	DRAWING NUMBER SUB-2322-00
	THIS DOCUMENT CONTAINS PROPRIETARY INFORMATION OF B-K LIGHTING, INC. AND ITS RECEIPT OR POSSESSION DOES NOT CONVEY ANY RIGHTS TO REPRODUCE, DISCLOSE ITS CONTENTS, OR TO MANUFACTURE, USE OR SELL ANYTHING IT MAY DESCRIBE. REPRODUCTION, DISCLOSURE OR USE WITHOUT SPECIFIC WRITTEN AUTHORIZATION OF B-K LIGHTING, INC. IS STRICTLY FORBIDDEN.		



**BKSSL**  
SOLID STATE LIGHTING

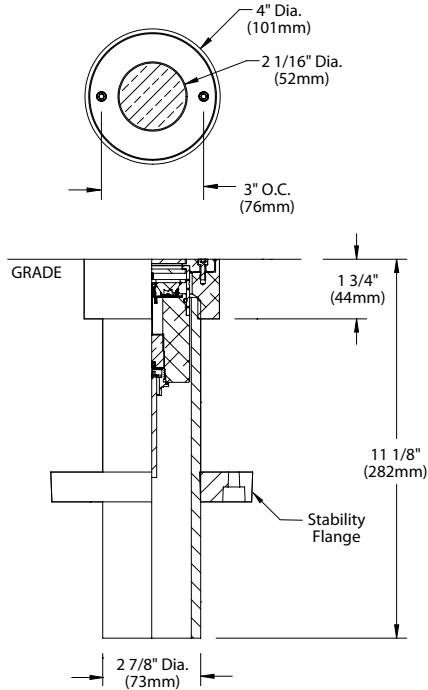
the power of  with **adjust-e-lume**<sup>®</sup> TECHNOLOGY

# ARTISTAR™ RECESSED UPLIGHT

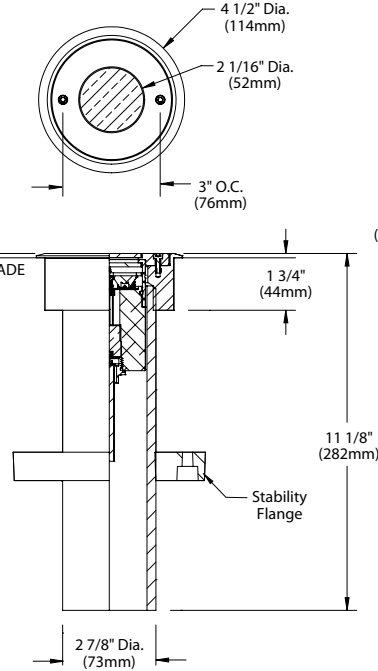
PROJECT: \_\_\_\_\_

TYPE: \_\_\_\_\_

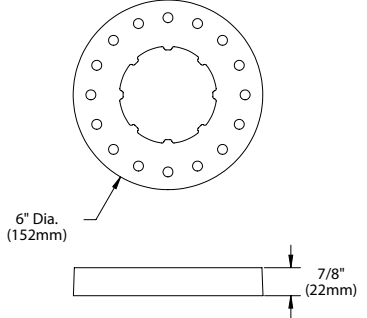
## FLUSH MOUNT



## SURFACE MOUNT



## STABILITY FLANGE



All dimensions indicated on this submittal are nominal. Contact Technical Sales if you require more stringent specifications.

## SPECIFICATIONS

### GreenSource Initiative™

Metal and packaging components are made from recycled materials. Manufactured using renewable solar energy, produced on site. Returnable to manufacturer at end of life to ensure cradle-to-cradle handling. Packaging contains no chlorofluorocarbons (CFC's). Use of this product may qualify for GreenSource efficacy and recycling rebate(s). Consult [www.bklighting.com/greensource](http://www.bklighting.com/greensource) for program requirements.

### Materials

Furnished in Copper-Free Aluminum (Type 6061-T6), Brass (Type 360) or Stainless Steel (Type 304).

### Body

Fully machined from solid billet. Unibody design provides enclosed, water-proof wireway and integral heat sink for maximum component life. Provided with hard-coat (Type III) black anodize finish for maximum corrosion resistance. Weather-tight cable connector with 5' 18Ga., 2 wire low voltage cable. High temperature, silicone 'O' Ring provides water-tight seal.

### Housing

Fixture provided with 2-7/8" dia., Schedule 80 PVC housing for direct burial into soil or concrete. 6" dia., molded stability flange projects into substrate to simplify installation and reinforce housing stability.

### Faceplate

Fully machined from solid billet. Countersunk holes provide for flush hardware mounting. Accommodates [1] lens or louver media.

### Lens

Shock resistant, tempered, glass lens is factory adhered to fixture cap and provides hermetically sealed optical compartment. Specify soft focus (#12) or rectilinear (#13) lens.

### BKSSL®

Integrated solid state system with 'e' technology is scalable for field upgrade. Modular design with electrical quick disconnects permit field maintenance. High power, forward throw source complies with ANSI C78.377 binning requirements. Exceeds ENERGY STAR® lumen maintenance requirements. LM-80 certified components.

Integral, constant current driver. 12VAC/VDC input. 50/60Hz. Proprietary input control scheme achieves power factor correction and eliminates inrush current. Output, over-voltage, open-circuit, and short circuit protected. Inrush current limited to <250mA max (non-dimming). Conforms to Safety Std. C22.2 No. 250.13-12.

### Adjust-e-Lume® (Pat. Pending)

Integral electronics allows dynamic lumen response at the individual fixture. Indexed (100% to 25% nom.) lumen output. Maintains output at desired level or may be changed as conditions require. Specify factory preset output intensity.

### Optics

Interchangeable OPTIKIT™ modules permit field changes to optical distribution. Color-coded for easy reference: Narrow Spot (NSP) = Red. Spot (SP) = Green. Medium Flood (MFL) = Yellow. Wide Flood (WFL) = Blue.

### Installation

Flush Mount features integral concrete pour collar. Top edge of collar to be installed flush with finished grade. Collar material and finish to match faceplate. (2) Threaded holes for faceplate installation. Faceplate is suitable for walk-over and drive-over applications to 35,000 lbs. GVW.

Surface Mount features fully machined copper-free aluminum installation collar. Collar material and finish to match faceplate. (2) Threaded holes for faceplate installation.

### Remote transformer

For use with 12VAC BKSSL remote transformer or magnetic transformers only. B-K Lighting cannot guarantee performance with third party manufacturers' transformers.

### Wiring

PVC coated, 18AWG, 150V, 60°C rated and certified to UL 1838 standard. Anti-Siphon Valve (ASV™) prevents "wicking" through conductor insulation.

### Hardware

Tamper-resistant, stainless steel hardware. Faceplate screws are additionally black oxide treated for additional corrosion resistance.

### Finish

StarGuard®, our exclusive RoHS compliant, 15 stage chromate-free process cleans and conversion coats aluminum components prior to application of Class 'A' TGIC polyester powder coating. Brass components are available in powder coat or handcrafted metal finish. Stainless steel components are available in handcrafted metal finish. (Brushed finish for interior use only).

### Warranty

5 year limited warranty.

### Certification and Listing

ITL tested to IESNA LM-79. Lighting Facts Registration per USDOE ([www.lightingfacts.com](http://www.lightingfacts.com)). ETL Listed to ANSI/UL Standard 1838 and UL Subject 8750 and Certified to CAN/CSA Standard C22.2 No. 9. RoHS compliant. Suitable for indoor or outdoor use. Suitable for use in wet locations. IP 66 Rated. Made in USA.



\*Energy Star is a registered trademark of the United States Environmental Protection Agency.

# B-K LIGHTING

40429 Brickyard Drive • Madera, CA 93636 • USA  
559.438.5800 • FAX 559.438.5900  
[www.bklighting.com](http://www.bklighting.com) • [info@bklighting.com](mailto:info@bklighting.com)

RELEASED  
07-10-15

DRAWING NUMBER  
SUB-2322-00